

Ideen leben

häwa 

WE CARE ABOUT YOUR RESULT.

häwa Tools





Is there actually an efficient solution in the tool program that complies with our requirements?

The best solutions for tool systems are not developed at the assembly line but while talking with you.

Joachim Pfeiffer, Head of Sales

As your personal hāwa consultant, I'm always there for you - and I'm looking forward to your individual requirements.

Our customers always place high demands on tool systems. Sometimes bigger and sometimes smaller – but very often requirements are quite different from standard.

These individual requirements are always the focus when you call häwa. We are convinced if we combine your experience and particular specifications with our experience over numerous projects the optimum solution can be achieved.



All customized solutions are based on our **tools** which have been proven in thousands of applications. Our standard range of tools with impressive functions, extremely high material strength, easy handling and reliability, as well as the various sizes and versions and its wide range of accessories, offer numerous cross-industry application possibilities.

On that basis, we firmly believe working together is the best method

to being an asset to you, our customers. Everything from an easy punch tool diameter adaption or a customized hydraulic hose length up to a complete customized tool development.

We will do our very best to fulfill your and / or your customers' wishes if possible.

We are not here to just sell you our products, we are here to do all we can to make your final product even better if we can.

Mobile Devices

Hydraulic Punching

Mechanical Punching

Crimping

Notching

Accessories Mobile Devices

Workshop Equipment

Hydraulic Punching

Cutting to Length

Crimping and Cutting to Length

Bus Bar Processing

Tool Drive Systems

Accessories for Workshop Equipment

Hydraulic Fittings

Punching Tools for Mobile Device

Crimping and Cutting Dies

Punching Tools for Workshop Equipment

Shear plates / Punching tools - Profile shears / DIN rail cutter

häwa Product Portfolio

Page 06

Page 08

Page 18

Page 20

Page 22

Page 26

Page 28

Page 30

Page 38

Page 48

Page 50

Page 56

Page 58

Page 60

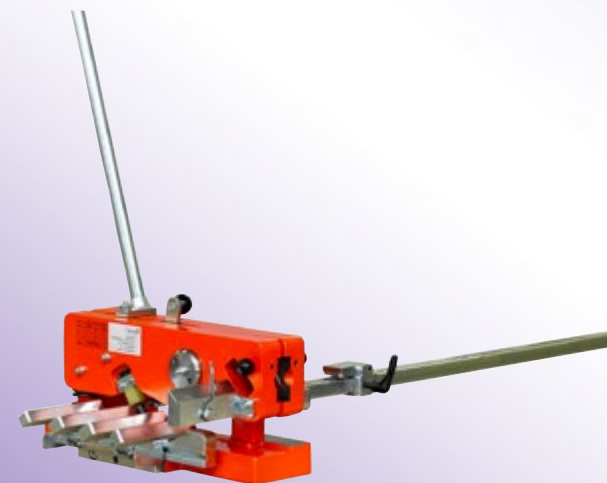
Page 62

Page 65

Page 67

Page 69

Page 70



Mobile Devices

Hand/battery operated hydraulic tools for punching, crimping or cutting to length for mobile use on site or in the factory.

Cut-outs up to 125 x 125 mm, crimping of cable lugs up to 400 mm² and enlarging cut-outs with different shapes offer an unlimited array of standard and customized possibilities to meet your specific requirements.

Power without end
or small and handy -
it is your choice

Examples:

Häwa customer standard

Different dimensions,
requirements or customized
configurations wishes?
Not a problem, we do it
every day, just contact us!

info@haewa.com



1



2



3



4

1 360° rotatable:

- Two axis provide easy access to hard-to-reach areas

3 Comfortable:

- Powerful battery, automatic return stroke, very lightweight

2 Universal:

- Crimping of cable lugs from 6 mm² up to 400 mm²

4 Complete set:

- Upon request also available as set with tools



häwa Powerman Junior

- One-man operation
- Max. punching: \varnothing 50 mm (1.97")



**Advice from one of our
häwa consultants:**

Please note:
The smallest value specified in the technical data of the pump and punching tool refers to the maximum material thickness to be punched!



Fig.: With metric round punch set

Product Description

Manually operated hydraulic pump

- Pump threaded for 9.5 mm (3/8") draw stud
- For punching sheet steel, stainless steel and aluminum
- Available draw studs: for punches threaded for 6.3 mm, 9.5 mm (3/8") 11.1 mm and 19 mm (3/4") studs.

Scope of Delivery

- Powerman Junior
- 1 draw stud (stud with 2 x \varnothing 9.5 mm (3/8") thread)

Note

- Using round punches threaded for 19 mm (3/4") draw studs, it is imperative to use the spacer type 2622-0719-03-00.
- You can find an overview of the punching pumps and suitable punches from page 62 or online at www.haewa.com

System Accessories

- Draw stud for round punches 9.5 mm (3/8"): 2623-0710-00-00

Technical Data

- Suitable for: round punches up to \varnothing 50.5 mm (1.99")/ square punches up to 25.4 mm (1")/ rectangular punches up to 37.5 mm (1.48") diagonal
- Max. sheet metal thickness: 2 mm (14 ga) sheet steel/ 1.5 mm (16 ga) stainless steel/ 3 mm (9 ga) aluminum
- Max. punching force: 40 kN
- Piston stroke: 13 mm (0.51")
- Threaded for: 9.5 mm (3/8") draw stud
- Weight: 2.35 kg (5.18 lbs)
- Pump dimensions: \varnothing 52 x 300 mm (2.05 x 11.81")
- Oil filling volume: 0.11 l
- For types with punch set: round punches in mm: \varnothing 12.2 (0.48"); 16.2 (0.64"); 20.2 (0.80"); 25.2 (0.99")

Accessories [▶ from page 26/page 62](#)

- Draw studs
- Round punches threaded for \varnothing 9.5 mm (3/8")
- Round punches threaded for \varnothing 19 mm (3/4")
- Round punches Plus
- Shaped punches
- Spacers

Type	Packaging	Order number
Powerman Junior without round punches	Cardboard box	2622-7200-02-00
Powerman Junior with metric round punch set	Plastic case	2622-7204-02-01

häwa Powerman Vario

- One-man operation
- Max. punching: \varnothing 80 mm (3.15")



Advice from one of our häwa consultants:

In order to avoid damages at the piston rod guide, it is absolutely necessary to use the enclosed washer type 2626-7200-20-00 for pumps threaded for 19 mm (3/4") screw holders and for dies with an external die diameter of 35 mm (1.38").



Fig.: with PG2 round punch kit

Product Description

Manually operated hydraulic pump

- Pump threaded for 19 mm (3/4") draw studs
- 360° rotatable and pivoting cylinder, can be operated also under load
- For punching sheet steel, stainless steel and aluminum
- Available draw studs: for punches threaded for 9.5 mm (3/8"), 11.1 mm and 19 mm (3/4") studs.

Scope of Delivery

- Powerman Vario
- 2 draw studs (stud with 2 x \varnothing 9.5 mm (3/8") thread and stud with 2 x 19 mm (3/4") thread)
- Reduction sleeve
- Washer for punching with 9.5 mm (3/8") round punch tools

Note

- You can find an overview of the punching pumps and suitable punches from page 62 or online at www.haewa.com

System Accessories

- Draw studs for round punches 9,5 mm (3/8"): 2624-0710-00-00
- Draw studs for round punches 19 mm (3/4"): 2624-0719-00-00
- Reduction sleeve: 2624-0719-10-01
- Washer \varnothing 9,5 mm (3/8"): 2626-7200-20-00

Technical Data

- Suitable for: round punches up to \varnothing 80 mm (3.15") / square punches up to 60 mm (2.36") / rectangular punches up to 85 mm (3.35") diagonal
- Max. sheet metal thickness: 3 mm (11 ga) sheet steel / 2 mm (14 ga) stainless steel / 4 mm (6 ga) aluminum
- Punching force: 50 kN
- Piston stroke: 20 mm (0.79")
- Threaded for: 19 mm (3/4") draw studs
- Weight: 2.5 kg (5.51 lbs)
- Pump dimensions: \varnothing 58 x 360 mm (2.28 x 14.17")
- Oil filling volume: 0.17 l
- Version with punch kit PG1:
Round punches in PG 9; 11; 13; 16; 21 and \varnothing 30.5 mm (1.20")
- Version with punch kit PG2:
Round punches in PG 9; 11; 13; 16; 21 and 29
- Version with metric punch kit in mm: \varnothing 12.2 (0.48"); 16.2 (0.64"); 20.2 (0.80"); 25.2 (0.99"); 32.2 (1.27"); 40.2 (1.58"); 50.2 (1.98")

Accessories [from page 26 / page 62](#)

- Draw studs
- Round punches threaded for \varnothing 9.5 mm (3/8")
- Round punches threaded for \varnothing 19 mm (3/4")
- Round punches Plus
- Shaped punches

Version	Packaging	Order number
Without round punch	Sheet metal case	2626-7200-01-00
PG1 with round punches from PG9 - PG21	Plastic case	2626-7206-01-00
PG2 with round punches from PG9 - PG29	Plastic case	2626-7206-02-00
With metric round punches from M12 - M50	Plastic case	2626-7207-01-01



häwa Powerman

- Designed for hard-to-reach areas
- Max. punching: \varnothing 120 mm (4.72")



Advice from one of our häwa consultants:

Punching pumps with hoses are a great solution for hard-to-reach areas. The small punch cylinder easily fits in very small gaps and it is operated outside the built-up area.



Product Description

Manually operated hydraulic punching pump

- Pump threaded for 19 mm (3/4") draw studs
- Screw coupling, also rotatable under load
- 1.000 mm (39.37") long hydraulic hose
- For punching sheet steel, stainless steel and aluminum
- Available draw studs: for punches threaded for 9.5 mm (3/8"), 11.1mm and 19 mm (3/4")

Scope of Delivery

- Powerman with hose and cylinder
- 2 draw studs (stud with 2 x \varnothing 9.5 mm (3/8") thread and stud with 2 x 19 mm (3/4") thread)
- Reduction sleeve
- Washer
- Spacer sleeve
- Sheet metal case

Note

- You can find an overview of the punching pumps and suitable punches from page 62 or online at www.haewa.com

System Accessories

- Draw stud 9.5 mm (3/8"): 2623-0710-00-00
- Draw stud 19 mm (3/4"): 2683-0719-00-00
- Reduction sleeve: 2624-0719-10-01
- Washer \varnothing 9.5 mm (3/8"): 2626-7200-20-00
- Spacer sleeve: 2622-0719-03-00

Technical Data

- Suitable for: round punches up to \varnothing 120 mm (4.72") / square punches 92 mm (3.62") / rectangular punches up to 138 mm (5.43") diagonal
- Max. sheet metal thickness: 3 mm (11 ga) sheet steel / 2 mm (14 ga) stainless steel / 4 mm (6 ga) aluminum
- Max. punching force: 65 kN
- Piston stroke: 28 mm (1.10")
- Threaded for: 19 mm (3/4") draw studs
- Weight: 6.1 kg (13.45 lbs)
- Pump dimensions: \varnothing 78 x 145 mm (3.07" x 5.71")
- Oil filling volume: 0.25 l

Accessories [from page 26 / page 62](#)

- Draw studs
- Round punches threaded for 9.5 mm (3/8")
- Round punches threaded for \varnothing 19 mm (3/4")
- Round punches Plus
- Shaped punches

Order number	
Powerman	2684-7100-01-01



hāwa Powerman Step

- Designed for hard-to-reach areas
- Max. punching: \varnothing 120 mm (4.72")



Advice from one of our hāwa consultants:

The screw and plug-in couplings which are rotatable under load do not cause any torsional stress in the hydraulic hose, thereby enabling a quick alignment of the punch tool with the workpiece.



Product Description

Foot operated hydraulic punching pump

- Pump threaded for 19 mm (3/4") draw studs
- Screw coupling, also rotatable under load
- 1.800 mm (70.87") long hydraulic hose
- For punching sheet steel, stainless steel and aluminum
- Available draw studs: for punches threaded for 9.5 mm (3/8"), 11.1 mm and 19 mm (3/4") threads.

Scope of Delivery

- Powerman Step with hose and cylinder
- 2 draw studs (stud with 2 x \varnothing 9.5 mm (3/8") thread and stud with 2 x 19 mm (3/4") thread)
- Reduction sleeve
- Washer
- Spacer sleeve
- Sheet metal case

Note

- You can find an overview of the punching pumps and suitable punches from page 62 or online at www.haewa.com

System Accessories

- Draw stud 9.5 mm (3/8"): 2624-0710-00-00
- Draw stud 19 mm (3/4"): 2624-0719-00-00
- Reduction sleeve: 2624-0719-10-01
- Washer: 2626-7200-20-00
- Spacer sleeve: 2622-0719-03-00
- Hydraulic Hoses 1/4" BSPT / 3/8" BSPT: 2685-0400-18-00

Technical Data

- Suitable for: round punches up to \varnothing 120 mm (4.72") / square punches 92 mm (3.62") / rectangular punches up to 138 mm (5.43") diagonal
- Max. sheet metal thickness: 3 mm (11 ga) sheet steel / 2 mm (14 ga) stainless steel / 4 mm (6 ga) aluminum
- Max. punching force: 65 kN
- Piston stroke: 28 mm (1.10")
- Threaded for: 19 mm (3/4") draw studs
- Weight: 10 kg (22.05 lbs)
- Pump dimensions: \varnothing 72 x 139 mm (2.83" x 5.47")
- Oil filling volume: 0.25 l

Accessories [»](#) from page 26/page 62

- Draw studs
- Round punches threaded for 9.5 mm (3/8")
- Round punches threaded for \varnothing 19 mm (3/4")
- Round punches Plus
- Shaped punches

Order number

Powerman Step

2685-7200-01-01

häwa Powerlec Vario

- One-man operation
- Designed for hard-to-reach areas
- Max. punching: \varnothing 80 mm (3.15")
- Automatic stop at the end of the punching procedure



Advice from one of our häwa consultants:

You can find a detailed performance table of all häwa punching pumps and an overview of all available häwa standard punches in our catalog, pages 62 to 64, or visit our website and go to "downloads" of the required punching pump.



Fig.: with metric round punch kit

Product Description

Battery-operated hydraulic punching pump

- Pump threaded for 19 mm (3/4") draw studs
- 360° rotatable cylinder, can be operated under load
- Li-Ion battery
- For punching sheet steel, stainless steel and aluminum
- Available draw studs: for punches threaded for 9.5 mm (3/8"), 11.1 mm and 19 mm (3/4") threads

Scope of Delivery

- Powerlec Vario
- 2 draw studs (stud with 2 x \varnothing 9.5 mm (3/8") thread and stud with 2 x 19 mm (3/4") thread)
- Reduction sleeve
- 2 spacer sleeves
- Charger
- Battery
- Plastic case

Note

- You can find an overview of the punching pumps and suitable punches from page 62 or online at www.haewa.com

System Accessories

- Draw stud 9.5 mm (3/8"): 2624-0710-00-00
- Draw stud 19 mm (3/4"): 2624-0719-00-00
- Reduction sleeve: 2624-0719-10-01
- Reduction sleeve \varnothing 10 mm (0.39") : 2624-0710-08-00
 \varnothing 19.5 mm (0.77") : 2624-0510-19-00
- Replacement battery: 2629-0000-60-00
- Replacement charger: 2629-0000-61-00

Technical Data

- Suitable for: round punches up to \varnothing 80 mm (3.15")/ square punches up to 68 mm (2.68")/ rectangular punches up to 96 mm (3.78") diagonal
- Max. sheet metal thickness: 2.5 mm (12 ga) sheet steel/ 2 mm (14 ga) stainless steel/ 4 mm (6 ga)
- Max. punching force: 60 kN
- Piston stroke: 22 mm (0.87")
- Threaded for: 19 mm (3/4") draw studs
- Weight: 2.3 kg (5.07 lbs)
- Pump dimensions: \varnothing 75 x 125 x 360 mm (2.95" x 4.92" x 14.17")
- Battery capacity: 18V; 3 Ah
- Charging time: 22 min
- Acoustic level: 70.6 dB(A)
- For version with punch kit: round punches in mm: \varnothing 12.2 (0.48"); 16.2 (0.64"); 20.2 (0.80"); 22.5 (0.89"); 25.2 (0.99"); 32.2 (1.27"); 40.2 (1.58"); 50.2 (1.98"); 63.2 (2.49")

Accessories [▶ from page 26 / page 62](#)

- Draw studs
- Round punches threaded for \varnothing 9.5 mm (3/8")
- Round punches threaded for \varnothing 19 mm (3/4")
- Round punches Plus
- Shaped punches

Version	Order number
Without round punches	2629-7200-00-00
With metric round punches from M12 to M63	2629-7200-01-01

häwa Draw Studs for Manual Operation



Product Description

- For operation with open-end wrench
- Ball bearing screws reduce the effort by approx. 50 %

Scope of Delivery

- 1 draw stud

Note

- When pre-drilling, please use \varnothing 10.5 mm (0.41") drill for \varnothing 9.5 mm (3/8") threads and \varnothing 20 mm (0.79") drill for 19 mm (3/4") threads.
We recommend the use of our sheet metal shell bit drills.
- It is imperative to use cutting oil

Technical Data

- With or without ball bearing
- For further specifications: see table

Accessories > from page 26

- Sheet metal shell bit drill
- Drilling paste
- High performance cutting oil

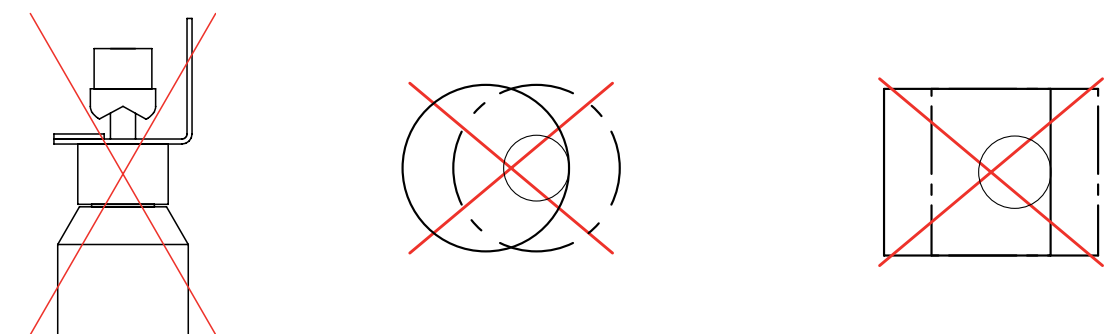
Version	Size	Wrench Size	Order number
	mm	mm	
Without ball bearing	9.5 x 50	17	2683-0710-50-00
	19 x 75	25	2683-0719-75-00
With ball bearing	9.5 x 50	17	2683-1710-62-00
	11,1 x 50	17	2683-1711-50-00
	19 x 75	25	2683-1719-75-00

Note – Working with Punching Pumps

General instructions when working with hydraulic punching pumps

- Make punch mark on cross mark.
- Pre-drill:
 - for stud \varnothing 9.5 mm (3/8") use \varnothing 10.5 mm (0.41")
 - for stud \varnothing 11.1 mm use \varnothing 12 mm (0.47")
 - for stud \varnothing 19 mm (3/4") use \varnothing 20 mm (0.79")
 - for stud \varnothing 19 mm (3/4"), may also be pre-drilled with \varnothing 20.4 mm (0.80").
- Fix the stud into the hydraulic cylinder and attach the die. Insert the stud through the pre-drilled hole.
- For round punches: screw on the punch.
 For square and shaped punches: attach the punch and screw on stud. Align with cross mark.
- Close the return fitting on the device. Operate the pump until the material is completely punched (audible cracking). After the audible cracking apply 2-3 pump strokes until the scraps drop into the free die area.
- Open the return fitting to release the pump. Punch returns spring-loaded. Remove punch, die and scraps.

- Important:
- Use only matching punch tools
 - Always use cutting oil to extend the service lifetime (2684-0700-25-00)
 - Always lubricate thread of wrench-operated draw studs
 - Sharpen punching tools regularly
 - Do not apply force!





häwa Manually Operated Hydraulic Crimping Tool 240

- Max. crimping range: 240 mm²
- Max. cutting diameter: 12 mm (0.47")



Product Description

For crimping cable lugs and joint connectors

- Tool opens automatically when maximum pressure is reached = guaranteed quality
- 180° rotating folding crimping head
- 2-stage hydraulic pump for quick crimping
- With safety valve
- Insert for cutting stranded Al and Cu cables up to an external diameter of 12 mm (0.47") is available upon request
- Short design, lightweight and easy to handle

Scope of Delivery

- Crimping tool in plastic case

Technical Data

- Material: Copper, aluminum
- Crimping range: from 6 up to 240 mm²
- Cutting up to: ø 12 mm
- Crimping force: 55 kN
- Weight: 2.6 kg (5.73 lbs)

Accessories

- You can find an overview of the suitable crimping inserts from page 65 or online at www.haewa.com

Order number

2695-0185-03-00

häwa Manually Operated Hydraulic Crimping Tool 400

- Max. crimping range: 400 mm²
- Max. cutting diameter: 28 mm (1.10")



Product Description

For crimping cable lugs and joint connector

- Tool opens automatically when maximum pressure is reached = guaranteed quality
- 360° rotatable folding crimping head
- 2-stage hydraulic pump for quick crimping
- With safety valve
- Insert for cutting stranded Al and Cu cables up to an external diameter of 28 mm (1.10") is available upon request

Scope of Delivery

- Crimping tool in plastic case

Technical Data

- Material: Copper, aluminum
- Crimping range: from 6 up to 400 mm²
- Cutting up to: ø 28 mm
- Crimping force: 80 kN
- Weight: 5.3 kg (11.68 lbs)

Accessories

- You can find an overview of the suitable crimping inserts from page 65 or online at www.haewa.com

Order number

2695-0401-02-00



häwa Powerman Mini

- One-man operation
- Burr-free



Advice from one of our häwa consultants:

You are looking for customized solutions?
You will find your häwa consultant in your vicinity, online at www.haewa.com/company/your-personal-contact-person.



Product Description

Manually operated hydraulic tool

- Hydraulic tool threaded for M10 draw bolts for mounting the punching tools.
- For burr-free cut-out enlargement or adaption in sheet steel, stainless steel or aluminum

Scope of Delivery

- Powerman Mini
- 5 round notching tools
- 1 "square" notching punch
- 1 "rectangular" notching punch
- 1 notching die
- 1 wrench
- Sheet metal case

Note

- You will find further accessories and spare parts online at www.haewa.com

Technical Data

- Can be used for:
 - Enlargement of \varnothing 4.5 (0.18"); 5.5 (0.22"); 6.5 (0.26"); 9 (0.35") and 11 mm (0.43") round holes to oblong holes
 - Modification of round holes from \varnothing 22 mm (0.87") to square cut-outs
 - Enlargement of existing square cut-outs from 17.5 x 17.5 mm (0.69" x 0.69")
- Max. sheet metal thickness: 2 mm (14 ga) sheet steel / 1.5 mm (16 ga) stainless steel / 3 mm (9 ga) aluminum
- Max. punching force: 18 kN
- Piston stroke: 5 mm (0.20")
- Threaded for: M10 draw studs
- Weight: 1.3 kg (2.87 lbs)
- Pump dimensions: \varnothing 50 x 230 mm (1.97" x 9.06")
- Oil filling volume: 0.1 l

System Accessories:

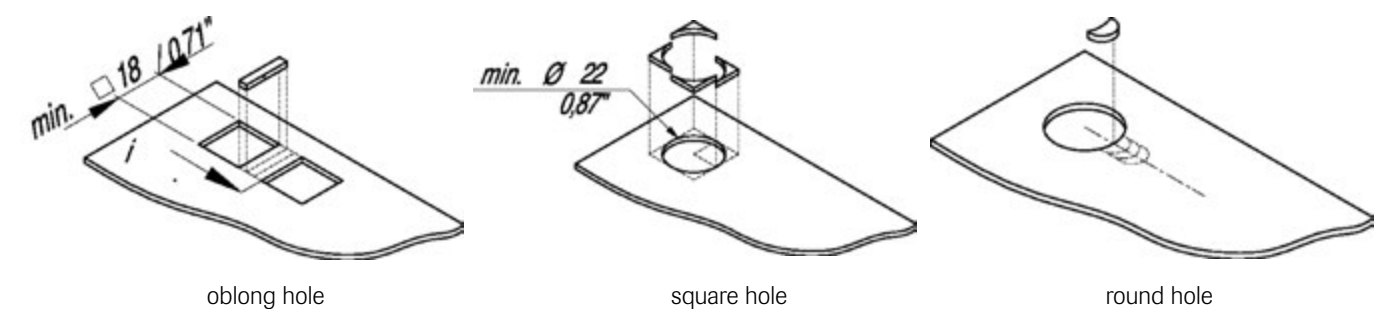
- Round notching tool \varnothing 4.5 mm (0.18"): 2694-0804-50-00
- Round notching tool \varnothing 5.5 mm (0.22"): 2694-0805-50-00
- Round notching tool \varnothing 6.5 mm (0.26"): 2694-0806-50-00
- Round notching tool \varnothing 9 mm (0.35"): 2694-0809-00-00
- Round notching tool \varnothing 11 mm (0.43"): 2694-0811-00-00
- Square notching tool: 2694-0116-80-00
- Rectangular notching tool: 2694-0118-00-00

Order number

Powerman Mini

2694-7110-01-00

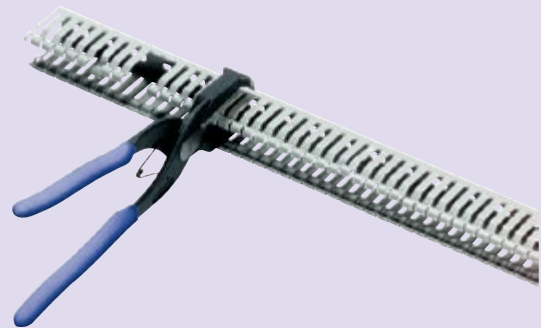
Application examples:





häwa Lamella Cutter

- Easy to use
- Safe operation



Product Description

- Manually operated pliers for cutting out lamella of wiring ducts
- Minimal effort required

Scope of Delivery

- Lamella cutter

Technical Data

- Material thickness: Plastic to 2 mm; 0.08"
- Processing depth: 65 mm (2.56")
- Cutting width: 20 mm (0.79")

Order number

2677-0000-00-10

häwa Keyway Pliers

- Accurate notching
- Chip-free
- Burr-free



Product Description

- Manually operated tool for 3.2 mm (0.13") keyways
- For improved grip, the handles are covered with synthetic material
- Applicable for all drillings from \varnothing 18.6 mm (0.73")

Scope of Delivery

- Keyway pliers

Note

- If you require frequently drillings with 2 keyways, we recommend the use of our combined tool for punching drillings and keyways in one single operation: See www.haewa.com "Round punch with 2 keyways".

Technical Data

- Keyways: 3,2 x 2 mm (0.13" x 0.08")
- Max. sheet metal thickness: Sheet steel to 2,5 mm; 12 ga / Stainless steel to 2 mm; 14 ga / Aluminum to 2,5 mm; 12 ga
- Dimension: closed 400 x 120 x 40 mm (15.75" x 4.72" x 1.57")

Order number

2691-0200-00-01

Accessories for Mobile Devices

Here you will find a selection of the most important häwa accessories of our tools program.
 You will find many other ideas and accessories on our web-site at www.haewa.com
 at **Control Cabinet Manufacture Tools**.



Advice from one of our häwa consultants:

We will do the detailed work for you.

Simply define your specific application – your häwa consultant will send you a selection of suitable tools.



Punching Tools

- Almost every shape is possible



Draw Studs and Accessories

- Ensure a good joint when punching



Battery-Operated Tools

- Simply electrifying



Mobile Punching Cylinders

- Can be operated with various drive systems



Notching Tools

- If something went wrong ...



Press and Cutting Inserts

- Pressing up to 400 mm² and cutting up to ø 28 mm (1.10")



Hole Processing and More

- Everything operates smoothly



Useful Accessories

- Are always required



Workshop Equipment

Flexible cut-out dimensions, cable lug crimping up to 400 mm² and cutting to length of profile rails up to 30 x 50 mm offer almost unlimited possibilities – also for your specific requirements.

Examples:



1



2



3



4

häwa customer standard:

Different dimensions, other requirements or customized design? Not a problem, we do it every day, just contact us!

info@haewa.com

1 Indestructible:

- In use for almost 30 years

3 All rounder:

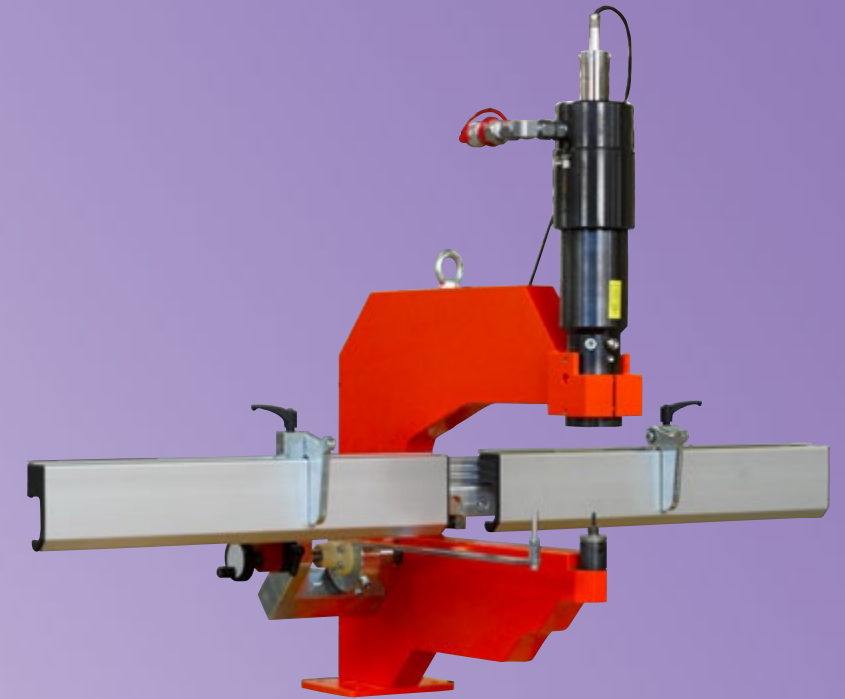
- For punching hole series in sheet steels and enclosures

2 Safe:

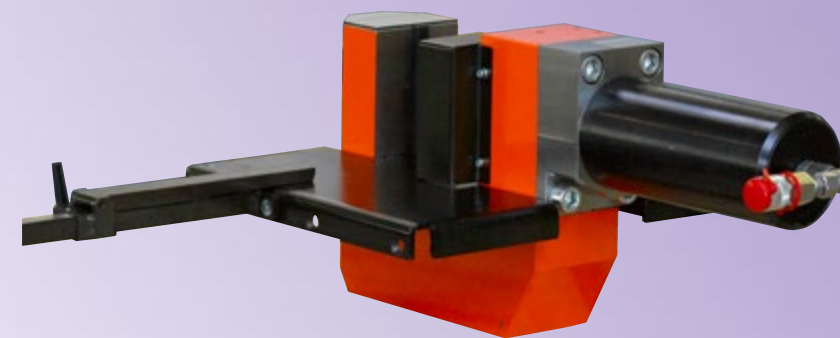
- Well-functioning protection

4 Easy access:

- Easy insertion of the workpiece owing to C-shaped brackets



Cutting to length, punching, bending? ... or do you have problems with your cable lugs?



häwa Quick-Press 300

- Punching to the outermost edge is possible
- Punching marks or drill holes are not required
- Useful processing depth 300 mm (11.81")



Advice from one of our häwa consultants:

You have to equip your junction box with the maximum possible quantity of cable glands? With our Quick-Press you can use the available space most effectively.

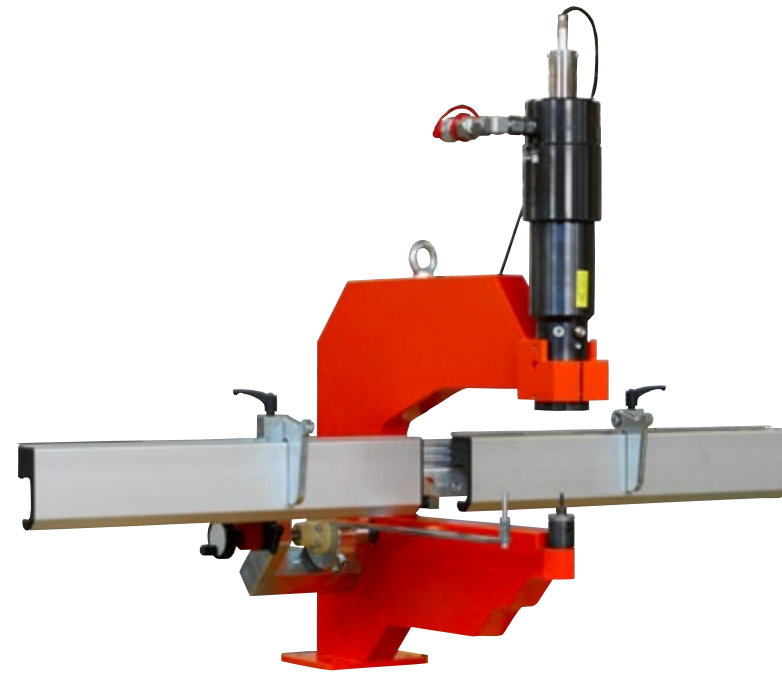


Fig.: Hydraulic bow punch with center point indicator

Product Description

- Hydraulic bow punch for quick and precise punching without pilot holes
- For manual operation or for connection to a häwa electro or air hydraulic pump
- For punching junction boxes, wall-mount enclosures, doors, covers, mounting plates, cable entry plates and flat/flanged sheet metals up to 40 mm (1.57")
- Depending on the type with center point indicator via laser diode
- Length and depth stop with two movable tilt stops
- Punching of hole rows through precisely adjustable positioning stop

Scope of Delivery

- Quick-Press 300 with length, depth and positioning stop
- 2 tilt stops
- Adapter for holding punches
- Depending on the type:
 - with hand pump or for connection to a häwa electric or air hydraulic pump
 - with or without laser center point indicator

Note

- The laser diode module requires a power supply of 230 V/ 50 Hz (shockproof plug)
- You will find further accessories or spare parts from page 67 or at www.haewa.com

System Accessories

- Adapter: 2661-0314-00-00
- Hydraulic cylinder: 2662-7100-81-05
- Left tilt stop: 2662-0701-01-00
- Right tilt stop: 2662-0701-02-00

Technical Data

- Suitable for: round punches up to \varnothing 40.5 mm (1.59") / square punches up to 25.4 mm (1") / rectangular punches up to 36 mm (1.42") diagonal
- Max. sheet metal thickness: 2 mm (14 ga) sheet steel / 1.5 mm (16 ga) stainless steel / 3 mm (9 ga) aluminum
- Processing depth: 300 mm (11.81")
- Length stop: Adjustable from 38 (1.50") to 500 mm (19.69") on both sides of the cylinder
- Depth stop: Adjustable from 5 (0.20") to 300 mm (11.81")
- Positioning stop: Backlash-free adjustable through measuring scale from 30 (1.18") to 100 mm (3.94")
- Punch holder \varnothing : 13 mm (0.51")
- Max. operating pressure: 450 bar
- Piston stroke: 42 mm (1.65")

Accessories [▶ from page 58 / page 67](#)

- Round punches
- Die holders
- Wipers
- Square punches
- Pedestal
- Air hydraulic pump
- Electro hydraulic pump

Version	Weight	Punching force	Center point indicator	Order number
	kg	kN		
Manual	64	45	-	2662-7203-00-01
Hydraulic	69	48	retrofitable 2662-7105-80-04	2662-7205-00-01
Hydraulic with center point indicator	69	48	yes	2662-7206-00-01



häwa

Quick-Press 400

- Punching to the outermost edge is possible
- Punching marks or drill holes are not required
- Useful processing depth 400 mm (15.75")
- User-friendly



Advice from one of our häwa consultants:

You intend to invest in a new tool, but are not sure which one is most suitable for your requirements? We recommend you request our tool demonstration bus!



Product Description

- Bow punch with mounted hydraulic power unit for quick and precise drilling without pilot holes
- For punching junction boxes, wall-mount enclosures, doors, covers, mounting and cable entry plates for flat or up to 15 mm (0.59") flanged and 400 mm (15.75") deep sheet metals
- Depending on the enclosure design, it is possible to punch the base of 300 mm (11.81") deep enclosures
- Double operating hydraulic cylinder with automatic or inching mode controlled via foot switch, with adjustable piston return stroke (for serial production)
- Punch center point indicator via laser diode
- Smooth-running ball bearing depth stop continuously adjustable from 25 – 400 mm (0.98" – 15.75")
- Length stop with two movable tilt stops, with measuring scale on right side
- Stop adjustable to height through perforated plate

Scope of Delivery

- Quick-Press 400 mounted on a pedestal with length and depth stop
- 2 tilt stops
- Finger guard and adapter to hold the punch
- Hydraulic unit with foot switch
- Laser diode for center point indicator
- Die holder
- Punch extension

Note

- You will find further accessories or spare parts from page 58/ page 67 or at www.haewa.com

Technical Data

- Suitable for: round punches up to \varnothing 40.5 mm/1.59" /square punches up to 25.4 mm (1") /rectangular punches up to 36 mm (1.42") diagonal
- Max. sheet metal thickness: Steel 2,5 mm (12 ga) / stainless steel 1.75 mm (15 ga) /aluminum 3 mm (9 ga)
- Processing depth: 400 mm (15.75")
- Length stop: Adjustable up to 700 mm (27.56") on both sides of the cylinder
- Depth stop: Adjustable from 25 (0.98") to 400 mm (15.75")
- Punch holder \varnothing : 20 mm (0.79")
- Max. operating pressure: 210 bar
- Max. punching force: 65 kN
- Piston stroke: 100 mm (3.94")
- Power Supply: 5-pin 16 A Cekon plug
- Operating voltage: 400 V/50 Hz
- Output: 0.55 kW
- Weight: 240 kg (529.11 lbs)

Accessories [▶ from page 58 / page 67](#)

- Reduction adapters
- Round punches
- Wipers
- Shaped punches
- Tool tray
- Drawing holder

System Accessories

- Adapter: 2665-0000-10-04
- Die holder: 2665-0000-10-03
- Tilt stop: 2665-0000-21-00

Order number

Quick-Press 400

2665-0000-10-00

häwa Maxi-Press 500

- Useful processing depth 500 mm (19.69")
- Repositioning is possible



Advice from one of our häwa consultants:

You often have to punch different large cut-outs for operating devices in cabinet doors and are still looking for a quick solution? We recommend the use of our Maxi Press 500 which is suitable for nibbling and easy punching of all cut-out sizes.

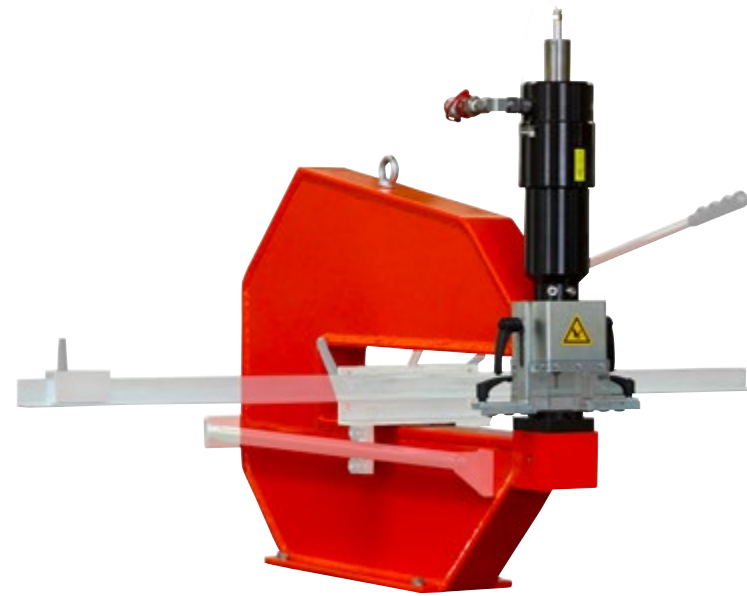


Fig.: Hydraulic bow punch with center point indicator

Product Description

- Hydraulic bow punch for quick and precise punching without pilot holes
- Can be connected to the häwa electric or air hydraulic pump
- For punching flat and up to 30 mm (1.18") flanged sheet metals
- Depending on the type with or without center point indicator via laser diode
- With transparent finger guard with wiper function
- Scraps up to \varnothing 63.5 mm (2.5") drop down to the bottom

Scope of Delivery

- Maxi-Press 500 with hydraulic cylinder
- Adapter for holding punches
- Die holder for dies with an external diameter of 72 mm (2.83")
- Die holder \varnothing 50 mm for Maxi-Press 500
- Finger guard with wiper function
- Depending on the type: with or without center point indicator

Note

- You will find further accessories or spare parts from page 67 or at www.haewa.com

System Accessories

- Adapter: 2642-0314-00-00
- Hydraulic cylinder: 2643-7100-81-05
- Finger Guard + Wiper: 2642-0202-01-00

Technical Data

- Suitable for: round punches up to \varnothing 63.5 mm (2.5") / square punches up to 46 mm (1.81") / rectangular punches up to 60 mm diagonal
- Max. sheet metal thickness: 3 mm (11 ga) sheet steel / 2 mm (14 ga) stainless steel / 4 mm (6 ga) aluminum
- Processing depth: 500 mm (19.68")
- Length stop: Adjustable up to 600 mm (23.62") on both sides of the cylinder, Depth stop: Adjustable from 60 (2.36") to 500 mm (19.69") (Accessories)
- Punch holder \varnothing : 20 mm (0.79")
- Max. operating pressure: 450 bar
- Max. punching force: 85 kN
- Piston stroke: 42 mm (1.65")
- Weight: 93 kg / 205.03 lbs

Accessories [▶ from page 58 / page 67](#)

- Reduction adapters
- Die holders \varnothing 50 mm (1.97")
- Round punches
- Shaped punches
- Length and depth stop
- Tilt stop
- Electric pump
- Air hydraulic pump

Version	Center point indicator	Order number
Hydraulic	retrofitable 2662-7105-80-04	2643-7105-00-00
Hydraulic with center point indicator	yes	2643-7106-00-00



häwa Multi-Press 500

- Working without marking and center punching
- Useful working depth 500 mm/19.69"
- "Repositioning is possible"
- Designed for machining small housings as well as large mounting plates



Advice from one of our häwa consultants:

The Multi-Press 500 is the all-rounder among our punching tools. Cut-outs for filter fans and panels are possible through follow-on punching using a slitting tool.



Product Description

- Powerful bow punch with integrated hydraulic unit for quick and exact punching without pilot holes.
- Exchangeable die holders allow the use of punching tools up to 92x92 mm/3.62x3.62".
- Designed for punching junction boxes, wall-mount enclosures, doors, covers/lids, mounting/cable plates, flat and flanged sheets up to 40 mm/1.57".
- The "narrow" die supports are perfect for punching junction boxes and enclosures.
- Center point indicator via laser diode.
- Pivot door support.
- Transparent finger guard with wiper function.
- Easy and quick tool exchange.
- Quick punching of large cut-outs thanks to narrow but long rectangular punches.
- Equipped with mobile pedestal offering flexible use in the workshop.

Scope of Delivery

- Bow punch with hydraulic unit and mobile pedestal.
- Length and depth stop with measuring scale.
- Pivot door support on rollers.
- Mounted laser center point indicator.
- Finger guard.
- Scrap box.

Note

- In addition to special punches such as those for SUB-MIN-D connectors, it is also possible to punch other shapes.
- Die holders and punching tools are available as accessories.

Technical Data

- Application: Punching of cut-outs
- Material: Sheet steel, stainless steel, polyester
- Processing depth: 500 mm
- Suitable for: Round punches up to \varnothing 92 mm/3.62", Square punches 92 mm/3.62", Rectangular punches up to a max. length of 92 mm/3.62"
- Material thickness: Sheet steel up to 2 mm/14 ga, Stainless steel up to 1.5 mm/16 ga, Polyester up to 4 mm/9 ga
- Noise level: 55 dB
- Piston stroke: 100 mm
- Processing depth: 500 mm
- Power Supply: 230V
- Hydraulic output: 0.37- 0.55 kW
- Footprint: 2 000 x 800 x 1 900 mm/78,74 x 31,50 x 74,80"
- Workpiece dimensions: max. 1,000 x 2,000 mm/ 39.37" x 78.74"
- Length stop: Adjustable on both sides of the cylinder from 48 up to 920 mm/1.89" - 36.22"
- Depth stop: Adjustable from 28 up to 500 mm/ 1.10" - 19.69"
- Punch holder \varnothing : 30 mm
- Operating pressure: 95 bar
- Weight: 270 kg

Artikelnummer	
Multi-Press 500	2654-7110-00-00



häwa Cable Duct Cutter 2677

- Burr-free cutting
- Max. cable duct dimensions 125 x 130 mm (4.92" x 5.12")
- Effective contact guard



Advice from one of our häwa consultants:

Our tools, equipped with effective guards, help to prevent the increase of accidents at work and ensure a safe working environment.



Product Description

- Long operating lever at the shear blade for waste-free cutting of cable ducts and covers, minimum effort required to operate machine
- The shear blades ensure a noiseless, emission-free cutting without scraps
- Transparent finger guards on both sides provide a safe contact guard
- Cutter with spring length stop for a long-lasting lifetime of the shear blades

Scope of Delivery

- Cable duct cutter with shear blades, operating lever and length stop 1 m/39.37"

Note

- For cutting cable ducts and covers up to a material thickness of 2 mm (0.08") and a web height of 12 mm (0.47")
- You will find further accessories or spare parts at www.haewa.com

System Accessories

- Shear blades: 2677-0300-05-00
- Length stop 1 meter: 2677-0700-01-00

Technical Data

- Processing: Minimum cable duct width 15 mm (0.59"), max. width 125 mm (4.92"), max. height 130 mm (5.12")
- Length stop: Continuously adjustable up to 1000 mm (39.37")
- Weight: 20 kg (44.09 lbs)

Accessories [▶ from page 58](#)

- 2 meter (78.74") length stop

Order number

Cable duct cutter

2677-0100-01-00



häwa Wiring Duct Cutter 2678

- Burr-free cutting
- Max. wiring duct width 125 mm; 4.92"
- With finger guard



Advice from one of our häwa consultants:

You can simply select your tools and accessories on our website. Or: You can compare your tools and ask for a non-binding offer. Please contact your personal häwa consultant if you require any information about our tools.



Product Description

- Long operating lever at the shear blades for waste-free cutting of PVC as well as halogen-free wiring ducts and covers.
- The shear blades ensure a noiseless, emission-free cutting without scraps
- With finger guard and adjustable length stop.

Scope of Delivery

- Wiring duct cutter with shear blades, feeder, operating lever and length stop 1 m/39.37"

Note

- For cutting wiring ducts and covers up to a max. material thickness of 2.5 mm/0.1"
- You will find further accessories or spare parts at www.haewa.com

Technical Data

- Material: PVC as well as halogen-free plastic
- Material thickness: Wiring duct dimensions: up to 125 x 2,5 mm; 4.92" x 0.1"
- Cutting: Min. wiring duct width 15 mm; 0.59", max. width 125 mm; 4.92"
- Length stop: Continuously adjustable up to 1.000 mm; 39.37"
- Weight: 10.5 kg / 23.15 lbs

Order number

Wiring Duct Cutter

2678-0100-00-00

häwa Profile Shears / DIN Rail Cutter 2671

- Low-noise and burr-free cutting to length
- Max. rail dimensions 35 x 18 x 2 mm (1.38 x 0.71 x 0.08")
- With punch function
- With hand lever or hydraulically operated



Advice from one of our häwa consultants:

Tools and machines must only be operated in perfectly functional condition and by trained and instructed personnel. You will find many further information in our operating instructions.



Fig.: Manually operated machine

Product Description

- Long operating lever for waste-free cutting of sheet steel, aluminum or copper profile rails
- With hand lever or for connection to a häwa electric or air hydraulic pump
- Easy shear blade exchange
- Precise feeding of profile rails for cutting to length and punching
- Punching with integrated fixed stop (9 mm/0.34" distance) or adjustable stop

Scope of Delivery

- Profile shears / DIN rail cutter with hand lever or hydraulic cylinder
- 1 m (39.37") length stop for cutting to length
- Feeder for cutting and punching
- Fixed stop for punching

Note

- You will find further accessories or spare parts at www.haewa.com

System Accessories

- Length stop 1 meter (39.37"): 2671-0000-10-00

Technical Data

- Profile rail dimensions for manual operation:
Max. 35 x 18 mm (1.38 x 0.71")
- Profile rail dimensions for hydraulic operation:
max. 35 x 15 mm (1.38 x 0.59")
- Max. sheet metal thickness: 2 mm (14 ga) sheet steel / 2 mm (12 ga) aluminum
- Punching: Up to \varnothing 7 mm (0.28") or oblong hole 6.3 x 9 mm (0.25 x 0.35")
- Length stop for cutting to length: Continuously adjustable up to 1.000 mm (39.37")
- Max. operating pressure: 450 bar (hydraulic operation)

Accessories [▶ from page 58](#)

- 2 m (78.74") length stop for cutting to length
- Length stop for punching
- Shear blades
- Punching tools
- Wipers
- Electro hydraulic pump
- Air hydraulic pump

Version	Weight	Artikelnummer
	kg	
Manual operation	28.5 (62.83 lbs)	2671-0100-01-00
Hydraulic operation	29 (63.93 lbs)	2671-0200-01-00



häwa Profile Shears / DIN Rail Cutter 2675

- Low-noise and burr-free cutting to length
- Max. profile dimensions 50 x 30 x 3 mm (1.97 x 1.18 x 0.12")
- With punch function



Advice from one of our häwa consultants:

You are looking for accessories or spare parts for your tools? Simply call up your tool on our website and click on "Accessories" or "Spare Parts".



Product Description

- Profile shears / DIN rail cutter with hydraulic cylinder for waste-free cutting of sheet steel, aluminum, copper or plastic rails
- Can be connected to the häwa electric or air hydraulic pump
- Easy shear blade exchange
- Feeder for cutting to length and punching
- Punching with integrated fixed stop (9 mm / 0.34" distance) or adjustable stop (Accessories)

Scope of delivery

- Profile shears / DIN rail cutter with hydraulic cylinder
- 1 m (39.37") length stop for cutting to length
- Feeder for cutting and punching
- With wiper function for punching
- Fixed stop for punching
- Punch holder

Note

- You will find further accessories or spare parts at www.haewa.com

Technical Data

- Profile rail dimensions: Max. 50 x 30 mm (1.97 x 1.18")
- Max. sheet metal thickness: 3 mm (11 ga) sheet steel / 4 mm (6 ga) aluminum
- Punching: Up to \varnothing 13 mm (0.51") or oblong hole 9 x 13 mm (0.35 x 0.51")
- Length stop for cutting to length: Continuously adjustable up to 1000 mm (39.37")
- Max. operating pressure: 450 bar
- Weight: 46 kg (101.41 lbs)

Accessories [▶ from page 58](#)

- Feeder and wiper
- 2 m (78.74") length stop for cutting to length
- Length stop for punching
- Shear blades
- Punching tools
- Electro hydraulic pump
- Air hydraulic pump

Order number

Profil shears / DIN rail cutter 2675

2675-7200-01-00



häwa Cable Duct Shears 2676

- Low-noise and burr-free cutting to length
- Max. profile dimensions 200 x 60 mm (7.87 x 2.36")



Advice from one of our häwa consultants:

You don't know if your cable duct matches the capability of our cable duct shears? Please send us your inquiry together with a data sheet with dimensions and pictures and if necessary, we will perform a FME calculation.



Product Description

- Cable duct shears with hydraulic cylinder for waste-free cutting to length of sheet steel and stainless steel cable ducts and covers
- Can be connected to the häwa electric or air hydraulic pump
- Easy shear blade exchange
- Easy handling through long feeder support surface

Scope of Delivery

- Cable duct shears with hydraulic cylinder
- 1 m (39.37") length stop for cutting
- Feeder for cutting to length

Note

- Shear plates are manufactured according to design and template. By turning the shear plate set, both the channel and cover can be cut. Depending on the duct size, 2 channel sizes can fit on one shear plate set.
- You will find further accessories or spare parts at www.haewa.com

System Accessories

- Length stop 1 m/39.37": 2676-0700-01-00

Technical Data

- Profile rail dimensions: Max. 200 x 60 mm / 7.87 x 2.36"
- Max. sheet metal thickness: 1.5 mm (16 ga) sheet steel / 1.2 mm (18 ga) stainless steel
- Length stop for cutting to length: Continuously adjustable up to 1000 mm (39.37")
- Max. operating pressure: 450 bar
- Weight: 89 kg (196.21 lbs)

Accessories > from page 58

- 2 m (78.74") length stop for cutting to length
- Electro hydraulic pump
- Air hydraulic pump

Order number

Cable duct shears 2676

2676-0201-00-00



häwa Hydraulic Crimping Tool 300

- Max. crimping range: 300 mm²
- Quick cable insertion
- Compact version



Product Description

- For crimping cable lugs and joint connectors
- Quick and easy insertion of the parts to be crimped owing to the C-head – ideal for series production
- Short design, lightweight and easy to handle

Scope of Delivery

- Crimping tool in steel case

Technical Data

- Crimping range: from 6 to 300 mm²
- Max. operating pressure: 700 bar
- Crimping force: 80 kN
- Weight: 3.6 kg (7.94 lbs)

Order number

Available upon request

häwa Hydraulic Crimping Tool 400

- Max. crimping range: 400 mm²
- Max. cutting diameter: 28 mm (1.10")



Product Description

- For crimping cable lugs and joint connectors
- 360° revolving crimping head
- An insert for cutting stranded Al and Cu cables up to an external diameter of 28 mm (1.10") is available upon request

Scope of Delivery

- Crimping tool in plastic case

Technical Data

- Crimping range: from 6 up to 400 mm²
- Cutting up to: ø 28 mm (1.10")
- Crimping force: 80 kN
- Weight: 5.3 kg (11.68 lbs)

Order number

Available upon request



häwa AlCu-Press: Punching / Cutting to Length

- Combined unit for punching and cutting to length
- Max. material cross section 12 x 120 mm (0.47 x 4.72")
- Very compact design



Advice from one of our häwa consultants:

Using the separate wiper, which is included in the scope of delivery of the AlCu-Press, prevents the workpiece from bulging.



Product Description

- Bow punch mounted on base plate, hydraulically operated for quick and precise punching without pilot holes and for cutting to length
- Can be connected to the häwa electric or air hydraulic pump
- For processing solid copper and aluminum material up to a dimension of 12 x 120 mm (0.47 x 4.72")
- Line laser module for easy workpiece positioning in X-direction when punching
- Separate "wiper AlCu-Press" for punching hole series with short hole distance (prevents the workpiece from bulging)
- Including finger guard with wiper function and workpiece support
- Easy workpiece insertion owing to the C-form of the bow punch

Scope of Delivery

- Bow punch with hydraulic cylinder mounted on base plate
- Line laser module
- Depth stop
- Wiper Al Cu-Press
- Workpiece support
- Finger guard

Note

- For optimum operation, we recommend the use of our 400 V electro-hydraulic pump type 2611-0400-00-00
- Required assembly space: less than 1 m², e.g.: our mobile base type 2605-7802-00-00
- Installation and instruction by qualified häwa personnel
- You will find further accessories or spare parts at www.haewa.com

Technical Data

- Suitable for: round punches up to \varnothing 17 mm (0.67"), oblong holes up to 13 x 22 mm (0.51 x 0.87")
- Max. material cross section: 12 x 120 mm (0.47 x 4.72")
- Processing depth: 85 mm (3.35")
- Depth stop: Adjustable from 8 to 85 mm (0.31 x 3.35")
- Max. operating pressure: 450 bar
- Max. punching force: 270 kN
- Piston stroke: 41 mm (1.61")
- Weight: 92 kg (202.83 lbs)

Accessories [▶ from page 58](#)

- Cutting tool
- Punch holder
- Tool adapter
- Punch sets
- Length stop
- Mobile base
- Electric hydraulic pump
- Air hydraulic pump

System Accessories

- AlCu-Press wiper: 2605-7500-25-00
- Line laser module: 2600-2000-00-11
- Power supply unit: 2600-2000-60-11

Order number

AlCu-Press: Punching / cutting to length

2605-7502-00-02



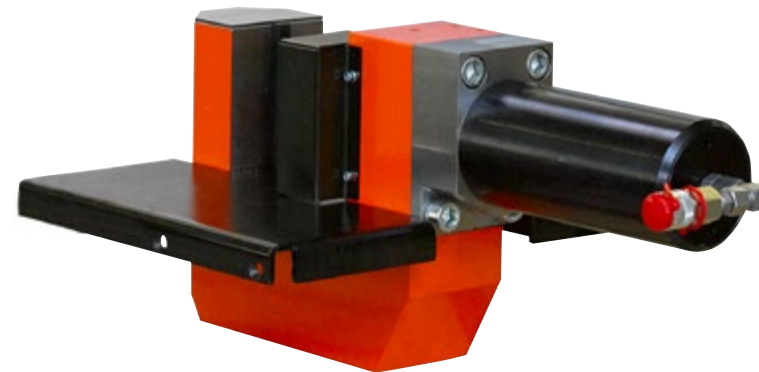
häwa AlCu-Press: Bending / Trimming

- Combined unit for bending and trimming
- Up to material cross section 120 x 12 mm (4.72 x 0.47")
- Very compact design



Advice from one of our häwa consultants:

Use your machines flexibly in your workshop. Mount even heavy machines on a mobile base (type 2605-7802-00-00) and bring the machine to the product and not vice versa.



Product Description

- Bow punch mounted on base plate, hydraulically operated for bending and trimming
- Can be connected to the häwa electric or air hydraulic pump
- For processing solid copper and aluminum materials up to a dimension of 12 x 120 mm (0.47 x 4.72")
- Easy workpiece insertion owing to the C-form of the bow punch

Scope of Delivery

- Bow punch with hydraulic cylinder mounted on base plate

Note

- For optimum operation, we recommend the use of our 400 V electro-hydraulic pump type 2611-0400-00-00
- Required assembly space: less than 1 m², e.g.: our mobile base type 2605-7802-00-00
- The "bending, trimming unit" is integrated in the desk top. We will be pleased to perform this task for you and we will also mount the complete AlCu-Press on our mobile base type 2605-7802-00-00.
- Installation and instruction by qualified häwa personnel
- You will find further accessories or spare parts at www.haewa.com

Technical Data

- Max. material cross section: 12 x 120 mm (0.47 x 4.72")
- Max. operating pressure: 450 bar
- Max. crimping force: 270 kN
- Piston stroke: 41 mm (1.61")
- Weight: 71 kg (156.53 lbs)

Accessories > from page 58

- Trimming tool
- Bending tool
- Length stop
- Shut-off unit
- Mobile base
- Electro hydraulic pump
- Air hydraulic pump

Order number

AlCu-Press: Bending, trimming

2605-7602-01-20



häwa AlCu-Press: Complete

- Combined unit for punching, cutting to length, bending and trimming
- Up to \varnothing 17 mm (0.67"), max. 120 x 12 mm (4.72 x 0.47")
- Very compact design



Advice from one of our häwa consultants:

You require more information about a specific tool or have not found the suitable tool? Please send us a call-back request and one of our specialists will call you back as soon as possible.



Product Description

- Bow punch mounted on base plate, hydraulically operated, can be connected to the häwa electric or air hydraulic pump
- For processing solid copper and aluminum materials up to a cross section of 12 x 120 mm (0.47 x 4.72")
- Easy workpiece insertion owing to the C-form of the bow punch
- Line laser module for easy positioning in X-direction when punching
- Separate wiper for punching hole series with short hole distance (prevents the workpiece from bulging)
- With finger guard with wiper function and workpiece support

Scope of Delivery

- 2 x bow punch with hydraulic cylinder mounted on base plate
- Line laser module
- Depth stop
- Alcu-Press wiper
- Workpiece support
- Finger guard

Note

- For optimum operation, we recommend the use of our 400 V electro-hydraulic pump type 2611-0400-00-00
- Required assembly space: less than 1 m², e.g.: our mobile base type 2605-7802-00-00
- The "bending, trimming unit" is integrated in the desk top. We will be pleased to perform this task for you and we will also mount the complete AlCu-Press on our mobile base type 2605-7802-00-00.
- Installation and instruction by qualified häwa personnel
- You will find further accessories or spare parts at www.haewa.com

Technical Data

- Suitable for: round punches up to \varnothing 17 mm (0.67")
oblong holes up to 13 x 22 mm (0.51 x 0.87")
- Max. material thickness: 12 x 120 mm (0.47 x 4.72")
- Processing depth: 85 mm (3.35")
- Depth stop: Adjustable from 8 to 85 mm (0.31 x 3.35")
- Max. operating pressure: 450 bar
- Max. punching force: 270 kN
- Piston stroke: 41 mm (1.61")
- Weight: 163 kg (359.35 lbs)

Accessories [▶ from page 58](#)

- Cutting tool
- Punch holder
- Tool adapter
- Punch sets
- Trimming tool
- Bending tool
- Shut-off unit
- Length stop
- Mobile base
- Electric hydraulic pump
- Air hydraulic pump

System Accessories

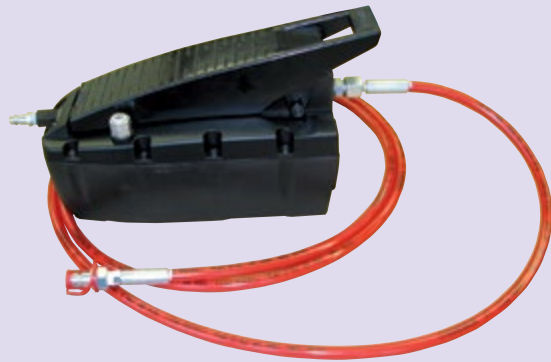
- AlCu-Press wiper: 2605-7500-25-00
- Line laser module: 2600-2000-00-11
- Power supply unit: 2600-2000-60-11

	Order number
AlCu-Press complete	2605-7102-00-02



häwa Air Hydraulic Pump

- Compressed air is sufficient to operate the device, no power supply required
- Operating pressure 500 bar
- Hose length 3.5 m (137.80")
- Foot operated



Product Description

- For operating single-acting hydraulic cylinders
- A compressed air connection of 6 bar generates an operating pressure of 500 bar
- Foot pedal operated
- Due to its low weight, the pump is suitable for mobile use

Scope of Delivery

- Air hydraulic pump
- Hydraulic hose
- Hose fitting for compressed air

Note

- Suitable for operating häwa tools with appropriate drip-free quick release coupling.
- Operation of several tools via switch valve type 2611-0003-03-00.
- You will find further accessories or spare parts at www.haewa.com

Technical Data

- Operating pressure: 500 bar
- Air connection: factory-set to min. 6 bar
- Capacity: 0.8 l/min
- Usable oil capacity: 2.1 l
- Hose length: 3.500 mm (137.79")
- Air consumption: 0.4 m³/min
- Noise level: 75 dB(A)
- Weight: 6.8 kg (14.99 lbs)

System Accessories

- Plug-in nipple: 2611-7102-05-00
- Hydraulic hose: 2611-0101-20-00

Order number

2612-7500-00-00

häwa Electric Hydraulic Pump

- For electrical connection
- Operating pressure 450 bar
- Hose length 3.5 m (137.8")
- Foot operated



Product Description

- For operating single-acting hydraulic cylinders
- Foot pedal operated
- With safety socket 230 V - 50 Hz

Scope of Delivery

- Electric hydraulic Pump
- Foot switch
- Hydraulic hose

Note

- Suitable for operating häwa tools with appropriate drip-free quick release coupling.
- Operation of several tools via switch valve type 2611-0003-03-00.
- You will find further accessories or spare parts at www.haewa.com

Technical Data

- Operating pressure: 450 bar
- Hose length: 3.500 mm (137.79")
- Electrical connection: 400 V/50Hz
- Capacity: 1,17 l/min
- Usable oil capacity: 1,5 l
- Weight: 32 kg

System Accessories

- Plug-in nipple: 2611-7102-05-00
- Hydraulic hose: 2611-0101-20-00

Order number

2611-0400-00-00

Accessories for Workshop Equipment

Here you will find a selection of the most important häwa accessories from our tools program. For further ideas, solutions and spare parts, please visit our website www.haewa.com at **Control Cabinet Manufacture Tools**.



Advice from one of our häwa consultants:

We will do the detailed work for you.

Simply define your specific application and we will select the suitable tools for you.



Punching tools for bow punches

- Punching without pilot holes



Shear blades

- Low-noise, burr and chip-free cutting to length



Length stops

- Cutting to length and punching



Accessories for bow punches

- "Tune" your bow punch



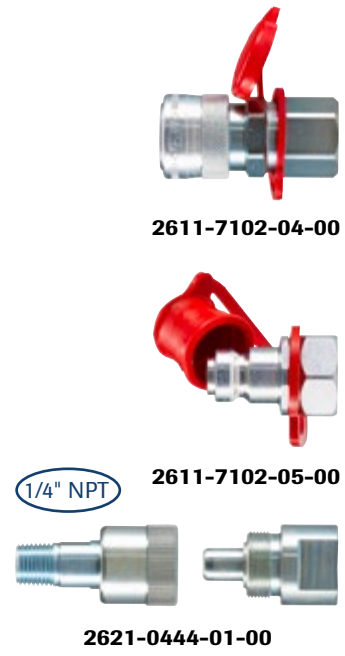
Bus Bar Processing

- Solid and laminated cooper rails. We will help you turn them into the required form for your application purpose.

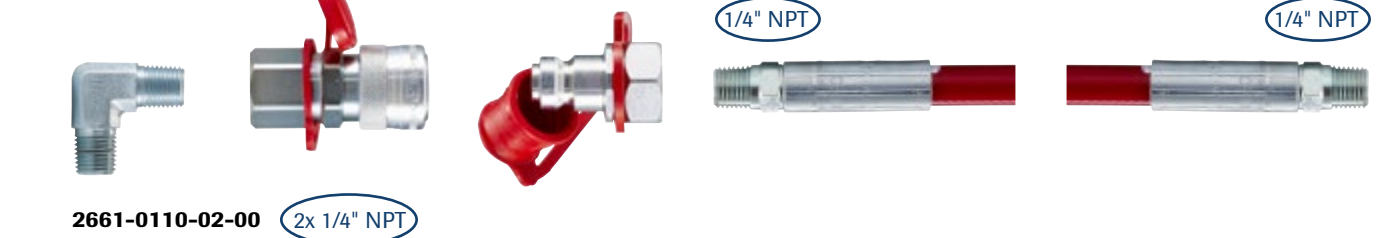
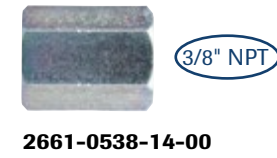
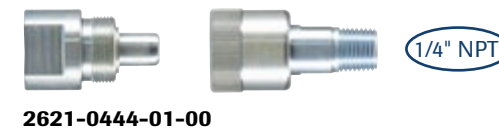


Hydraulic Accessories

- We offer the suitable component for every requirement.
- You will find a detailed overview on page 60.



2621-0537-01-01 L = 700 mm
 2611-0400-10-00 L = 1.000 mm
 2611-0400-20-00 L = 2.000 mm
 2611-0400-30-00 L = 3.000 mm



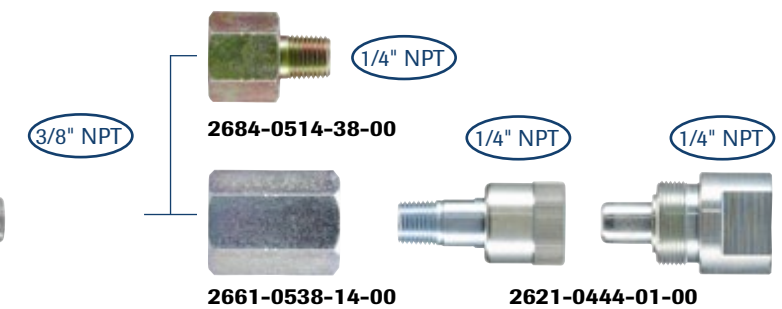
2611-0101-20-00 L = 3.500 mm



2685-0400-18-00 L = 1.800 mm



2685-0400-18-00 L = 1.800 mm



Round Punches¹ - Mobile Devices

Dimensions ø in mm	Order No.		Powerman Junior	Powerman Vario	Powerman	Powerman Step	Powerlec Vario
	Draw bolt thread						
	9.5	19					
12.2	2623-0812-20-00		X	X	X	X	X
12.7	2623-0812-70-00		X	X	X	X	X
14	2623-0814-00-00		X	X	X	X	X
15.2	2623-0815-20-00		X	X	X	X	X
16.2	2623-0816-20-00		X	X	X	X	X
17.3	2623-0817-30-00		X	X	X	X	X
18.6	2623-0818-60-00		X	X	X	X	X
19	2623-0819-00-00		X	X	X	X	X
20.2	2623-0820-20-00		X	X	X	X	X
20.4	2623-0820-40-00		X	X	X	X	X
21.3	2623-0821-30-00		X	X	X	X	X
22.5	2623-0822-50-00		X	X	X	X	X
23.8	2623-0823-80-00		X	X	X	X	X
24.5	2623-0824-50-00		X	X	X	X	X
25.2	2623-0825-20-00		X	X	X	X	X
27	2623-0827-00-00		X	X	X	X	X
28.3		2623-0828-30-00	X	X	X	X	X
28.5	2623-0828-50-00		X	X	X	X	X
30.5	2623-0830-51-00		X	X	X	X	X
30.5		2623-0830-50-00	X	X	X	X	X
32		2623-0832-00-00	X	X	X	X	X
32.2		2623-0832-20-00	X	X	X	X	X
32.2	2623-0832-21-00		X	X	X	X	X
33.3	2623-0833-30-00		X	X	X	X	X
34.1		2623-0834-10-00	X	X	X	X	X
35	2623-0835-01-00		X	X	X	X	X
35.1		2623-0835-00-00	X	X	X	X	X
37		2623-0837-00-00	X	X	X	X	X
38		2623-0838-00-00	X	X	X	X	X
38.1	2623-0838-11-00		X	X	X	X	X
40.2		2623-0840-20-00	X	X	X	X	X
41.2		2623-0841-20-00	X	X	X	X	X
43.3		2623-0843-30-00	X	X	X	X	X
45.5		2623-0845-50-00	X	X	X	X	X
47		2623-0847-00-00	X	X	X	X	X
50.2		2623-0850-20-00	X	X	X	X	X
54		2623-0854-00-00		X	X	X	X
56.5		2623-0856-50-00		X	X	X	X
60		2623-0860-00-00		X	X	X	X
63.2		2623-0863-20-00		X	X	X	X
64.4		2623-0864-40-00		X	X	X	X
66.6		2623-0866-60-00		X	X	X	X
70		2623-0870-00-00		X	X	X	X
75.2		2623-0875-20-00		X	X	X	X
76.2		2623-0876-20-00		X	X	X	X
80		2623-0880-00-00		X	X	X	X
82		2623-0882-00-00		X	X		
88.5		2623-0888-50-00		X	X		
92		2623-0892-00-00		X	X		
102		2623-0810-20-00		X	X		
114.3		2623-0811-43-00		X	X		
120		2623-0812-01-00		X	X		

Round Punches Plus¹ - Mobile Devices

Dimensions ø in mm	Draw bolt thread	Order number	Powerman Junior	Powerman Vario	Powerman	Powerman Step	Powerlec Vario
15.2	9.5	2682-0815-20-25	X	X	X	X	X
16.2	9.5	2682-0816-20-25	X	X	X	X	X
18.6	11.1	2682-0818-60-25	X	X	X	X	X
20.2	11.1	2682-0820-20-25	X	X	X	X	X
20.4	11.1	2682-0820-40-25	X	X	X	X	X
22.5	11.1	2682-0822-50-25	X	X	X	X	X
25.2	11.1	2682-0825-20-25	X	X	X	X	X
28.5	19	2682-0828-50-25	X	X	X	X	X
30.5	19	2682-0830-50-25	X	X	X	X	X
32.2	19	2682-0832-20-25	X	X	X	X	X
37	19	2682-0837-00-25	X	X	X	X	X
40.2	19	2682-0840-20-25	X	X	X	X	X
47	19	2682-0847-00-25	X	X	X	X	X
50.2	19	2682-0850-20-25	X	X	X	X	X
54	19	2682-0854-00-25		X	X	X	X
60	19	2682-0860-00-25		X	X	X	X
63.2	19	2682-0863-20-25		X	X	X	X

Round punch kits¹ - Mobile devices

Description	Draw bolt thread	Order number	Powerman Junior	Powerman Vario	Powerman	Powerman Step	Powerlec Vario
Metr. round punch kit Plus from M16-M50	9.5/11.1/19	2682-7816-50-26	X	X	X	X	X
Metr. round punch kit from M12-M50	9.5/19	2623-7812-50-00 2683-7812-50-20²	X	X	X	X	X
Round punch kit from PG7-PG21+ø 30.5	9.5	2623-7812-30-00 2683-7812-30-20²	X	X	X	X	X
Round punch kit from PG7-PG48+ø 30.5	9.5/19	2623-7812-60-00 2683-7812-60-30²		X	X	X	X

Round Punch with two keyways³ - Mobile devices

Description	Draw bolt thread	Order number	Powerman Junior	Powerman Vario	Powerman	Powerman Step	Powerlec Vario
Round punch ø 22.5 with two keyways	9.5	2623-0922-52-01	X	X	X	X	X

¹ Draw bolts for punching pumps are not included in the scope of delivery.

² With draw bolts for manual operation.

³ With draw bolt for punching pump.

Square Punches³ - Mobile Devices

Dimensions	Draw bolt thread	Order number	Powerman Junior	Powerman Vario	Powerman	Powerman Step	Powerlec Vario
22.2	9.5	2623-0922-20-00	x	x	x	x	x
25.4	9.5	2623-0925-40-00	x	x	x	x	x
45	19	2683-0945-00-02		x	x	x	x
46	19	2683-0946-00-02		x	x	x	x
68	19	2683-0968-00-02		x ⁴	x	x	x
92	19	2683-0992-00-02		x ⁴	x	x	
125	19	2683-0125-00-02		x ⁴	x ⁴	x ⁴	

Rectangular Punche³ - Mobile Devices

Dimensions	Draw bolt thread	Order number	Powerman Junior	Powerman Vario	Powerman	Powerman Step	Powerlec Vario
22 x 30	9.5	2683-0922-31-10	x	x	x	x	x
22 x 42	9.5	2683-0922-42-11		x	x	x	x
25 x 50	19	2683-0925-50-00		x	x	x	x
46 x 92	19	2683-0946-92-02			x	x	x ⁴
36 x 52	19	2683-0936-52-02		x	x	x	x
36 x 65	19	2683-0936-65-02		x	x	x	x
36 x 85.5	19	2683-0936-85-52		x ⁴	x	x	x
36 x 112	19	2683-0936-11-22		x ⁴	x	x	

Shaped Punches³ - Mobile Devices

Description / Dimensions	Draw bolt thread	Order number	Powerman Junior	Powerman Vario	Powerman	Powerman Step	Powerlec Vario
MinD 9-pole	9.5	2683-0000-00-09	x	x	x	x	x
MinD 37-pole	9.5	2683-0000-00-37		x	x	x	x
MinD 50-pole	9.5	2683-0000-00-50		x	x	x	x
20.1 x 22.5	9.5	2683-0920-22-01	x	x	x	x	x
20.2 x 23.1	9.5	2683-0920-23-01	x	x	x	x	x

Crimping Die DIN

Cross-section in mm ²		Order number	Manual hydraulic crimping tool 240	Manual hydraulic crimping tool 400
Cu	Al			
6		2695-0006-13-43	x	
10/70	50	2695-1070-13-44	x	
16/35	25	2695-1635-13-45	x	
25/50	16/35	2695-2550-13-46	x	
95	70	2695-0095-13-47	x	
120		2695-0120-13-48	x	
150	95/120	2695-0150-13-49	x	
185	150	2695-0185-13-50	x	
6		2695-0006-02-78		x
10		2695-0010-02-79		x
16		2695-0016-02-80		x
25	16	2695-0025-02-81		x
35	25	2695-0035-02-82		x
50	35	2695-0050-02-83		x
70	50	2695-0070-02-84		x
95	70	2695-0095-02-85		x
120		2695-0120-02-86		x
150	95/120	2695-0150-02-87		x
185	150	2695-0185-02-88		x
240	185	2695-0240-02-89		x
300	240	2695-0300-02-90		x

Crimping Die WM Standard Series

Cross-section in mm ²		Order number	Manual hydraulic crimping tool 240	Manual hydraulic Cu crimping tool 400
Cu				
10/70		2695-1070-13-02	x	
16/35		2695-1635-13-03	x	
25/50		2695-2550-13-04	x	
95		2695-0095-13-05	x	
120		2695-0120-13-06	x	
10		2695-0010-06-04		x
16		2695-0016-06-05		x
25		2695-0025-06-06		x
35		2695-0035-06-07		x
50		2695-0050-02-63		x
70		2695-0070-02-64		x
95		2695-0095-02-65		x
120		2695-0120-02-66		x

¹ Draw bolts for punching pumps are not included in the scope of delivery

² With draw bolts for manual operation

³ With draw bolt for punching pump

⁴ For reduced sheet metal thickness

Crimping die WM Euro series

Cross-section in mm ²	Order number	Manual hydraulic crimping tool 240	Manual hydraulic crimping tool 400
Cu			
6	2695-0006-13-15	x	
10/70	2695-1070-13-16	x	
16/35	2695-1635-13-17	x	
25/50	2695-2550-13-18	x	
95	2695-0095-13-19	x	
120	2695-0120-13-20	x	
6	2695-0006-04-31		x
10	2695-0010-02-72		x
16	2695-0016-02-73		x
25	2695-0025-02-34		x
35	2695-0035-02-35		x
50	2695-0050-02-36		x
70	2695-0070-02-37		x
95	2695-0095-02-38		x
120	2695-0120-02-66		x

Crimping die WM standard + Euro series

Cross-section in mm ²	Order number	Manual hydraulic crimping tool 240	Manual hydraulic crimping tool 400
Cu			
150	2695-0150-13-07	x	
185	2695-0185-13-08	x	
240	2695-0240-13-09	x	
150	2695-0150-02-67		x
185	2695-0185-02-68		x
240	2695-0240-02-69		x
300	2695-0300-02-70		x
400	2695-0400-02-71		x

Cable cutting die -

For cutting stranded Al and Cu conductors without steel reinforcement

Cutting diameter in mm	Order number	Manual hydraulic crimping tool 240	Manual hydraulic crimping tool 400
12	2695-0012-03-54	x	
28	2695-0028-06-54		x

Cable cutting die -

For cutting fine and finest-wired Cu conductors without steel reinforcement

Cutting diameter in mm	Order number	Manual hydraulic crimping tool 240	Manual hydraulic crimping tool 400
28	2695-0028-06-55		x

Round punches ø 6.6 – 18.6 mm – Workshop equipment

			Suitable for Quick Press 300	Suitable for Quick Press 400	Suitable for Maxi Press 500	Suitable wiper
Punch with clamping pin			ø 13 mm		ø 20 mm	
Size ø in mm	Metric	PG	Die with 40 mm external diameter	Die with 50 mm external diameter		
6.6	M 6		2680-0206-60-00	2661-0206-60-00	2661-0206-60-00*	2680-0900-06-00
9			2680-0209-00-00	2661-0209-00-00	2661-0209-00-00*	2680-0900-09-00
10.5	M 10			2661-0210-50-00	2661-0210-50-00*	2680-0900-10-50
12.2	M 12		2680-0212-20-00	2661-0212-20-00	2661-0212-20-00*	2680-0900-12-20
12.7		PG 7	2680-0212-70-00	2661-0212-70-00	2661-0212-70-00*	2680-0900-12-70
15.2		PG 9	2680-0215-20-00	2661-0215-20-00	2661-0215-20-00*	2680-0900-15-20
16.2	M 16		2680-0216-20-00	2661-0216-20-00	2661-0216-20-00*	2680-0900-16-20
18.6		PG 11	2680-0218-60-00	2661-0218-60-00	2661-0218-60-00*	2680-0900-18-60

Round punches ø 20.4 – 37 mm – Workshop equipment

			Suitable for Quick Press 300	Suitable for Quick Press 400	Suitable for Maxi Press 500	Suitable wiper
Size ø in mm	Metric	PG	Die with 40 mm external diameter	Die with 50 mm external diameter		
20.2	M 20		2680-0220-20-00	2661-0220-20-00		2680-0900-20-20
20.4		PG 13.5	2680-0220-40-00	2661-0220-40-00		2680-0900-20-40
21.3		PG 16		2661-0221-30-00		2680-0900-21-30
22.5	M 22	PG 16	2680-0222-50-00	2661-0222-50-00		2680-0900-22-50
24.5				2661-0224-50-00		2680-0900-24-50
25.2	M 25			2661-0225-20-00		2680-0900-25-20
28.5		PG 21		2661-0228-50-00		2680-0900-28-50
30.5	M 30			2661-0230-50-00		2680-0900-30-50
32.2	M 32			2661-0232-20-00		2680-0900-32-20
37	M 36	PG 29		2661-0237-00-00		2680-0900-37-00

Round punches ø 40.5 – 63.5 mm – Workshop equipment

			Suitable for Quick Press 300	Suitable for Quick Press 400	Suitable for Maxi Press 500	Suitable wiper
Size ø in mm	Metric	PG	Die with 40 mm external diameter (Version: stepped die)			Die with 72 mm external diameter
40.2	M 40		2661-0240-20-00		2643-0240-20-00	2680-0900-40-20
45.5					2643-0245-50-00	
47		PG 36			2643-0247-00-00	
50.2	M 50		2661-0250-20-00		2643-0250-20-00	
53.9		PG 42			2643-0253-90-00	
60		PG 48			2643-0260-00-00	
63.2	M 63		2661-0263-20-00		2643-0263-20-00	

* Additionally required: Reduction adapter clamping pin type 2642-0313-20-00



Die holders - Workshop equipment

	Suitable for Quick-Press 300	Suitable for Quick-Press 400	Suitable for Maxi-Press 500
Installation die holder with:	clamping pin \varnothing 13 mm	clamping pin \varnothing 20 mm	Die holder diameter 72 mm
For holding dies with a diameter of:	40 mm	50 mm	
	2680-0340-00-00	2680-0350-00-00	2665-0000-10-03 2643-0250-72-00

Round punches with two keyways - Workshop equipment

	Suitable for Quick Press 300	Suitable for Maxi Press 500
Punch with clamping pin:	\varnothing 20 mm	
Size in mm	No. of keyways	Die holder diameter 50 mm
22.5	2	2665-0922-52-01 2643-0922-52-01

Square punches - Workshop equipment

	Suitable for Quick Press 300	Suitable for Quick-Press 400	Suitable for Maxi-Press 500
Punch with clamping pin	\varnothing 13 mm	\varnothing 20 mm	
Size in mm	Die holder diameter 50 mm		Die holder diameter 72 mm
22.2 x 22.2	2661-0422-20-00	2665-0422-20-00	2642-0422-20-00
25.4 x 25.4	2661-0425-40-00	2665-0425-40-00	2642-0425-40-00
46 x 46			2643-0946-00-00

Rectangular punches - Workshop equipment

	Suitable for Maxi Press 500
Punch with clamping pin	\varnothing 20 mm
Size in mm	Die holder diameter 50 mm
22 x 30	2642-0922-30-00

Punching Tools AICu-Press - Workshop Equipment

Size \varnothing in mm	Order number	Die holder	Adapter AICu-Press punching
For processing solid copper or aluminum rails			
6.5	2605-7700-06-50	2605-0507-01-15	2605-0507-01-10
8.5	2605-7700-08-50		
10.5	2605-7700-10-50		
12.5	2605-7700-12-50		
13	2605-7700-13-00		
14.5	2605-7700-14-50		
17	2605-7700-17-00		
for laminated copper rails			
10.5*	2605-7750-10-50	2605-0507-01-15	2605-0507-01-10

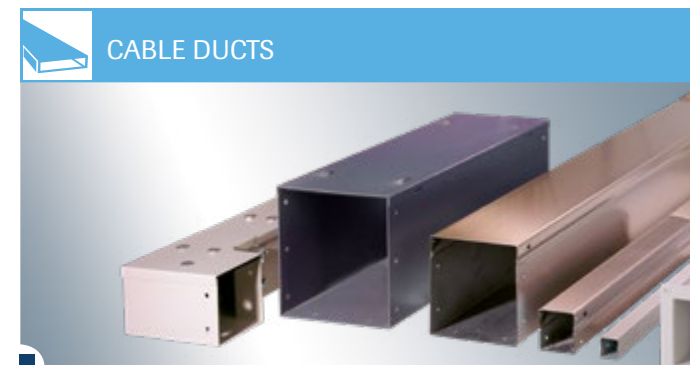
* Other punch sizes are available upon request

Shear plates - Profile shears/DIN rail cutter

DIN rail	Profile shears/DIN rail cutter 2671	Profile shears/DIN rail cutter 2675
mm		
32 x 15 x 1.5/ G32)	2671-7400-01-00	
35 x 15 x 1.5	2671-7400-02-00	
35 x 7.5 x 1	2671-7400-03-00	
35 x 15 x 2.3	2671-7400-04-00	
15 x 5 x 1	2671-7400-05-00	
35 x 10 x 1.5	2671-7400-06-00	
30 x 15 x 1.5 (C30)	2671-7400-07-00	
35/16 x 18 x 1.5	2671-7400-08-00	
35 x 18 x 2 galvanized	2671-7400-09-00	
35 x 18 x 2 Hot-dip	2671-7400-09-01	
32 x 15 x 1.5 (G32) 35 x 7.5 x 1		2675-7403-01-00
15 x 5 x 1 35 x 15 x 1.5		2675-7404-05-00

Punching tools - Profile shears/DIN rail cutter

Size \varnothing	Profile shears/DIN rail cutter 2671	Profile shears/DIN rail cutter 2675
mm		
4.2	2671-7700-03-42	
5.3	2671-7700-04-53	
6.3 x 8	2671-7700-02-65	
6.5 x 10		
6.5 x 13		2675-7700-65-13
9 x 13		2675-7700-90-13



In every area as individual as your requirements: The häwa range of products

häwa – definitely the best solution

We are your reliable partner for well-conceived cabinet and enclosure systems, smart IT-solutions, effective thermal components, modular machine racks, functional cable ducts and practical tools. In particular when individual and flexible solutions are needed.

From the conceptual and structural design to manufacture and logistics including a fast delivery and maintenance service,

we at häwa are your one-stop shop – your personal häwa consultant will always be there to assist you.

More than 400 committed staff members are available to find the best solution for your challenges and your budget.

The result: high-quality products which will meet or even exceed your expectations – today and tomorrow.

Our way to develop unique solutions for you:

Customer-oriented

We listen to you, we make your issues part of our planning, we consult and support you: as your partner, we work closely together with you – this is how we find solutions tailored to your needs.

Personally

We at häwa, rely on personal contact – your personal häwa consultant is always there for you, brings your ideas to life and is dedicated to accompanying you on your way to your optimal solution.

Reliable

Go for a trustworthy partner, on which you can rely in any situation – especially when the safety of components is at stake, i.e. when functional reliability is key. Our motto at häwa is: We keep our promises. This is what it's all about.

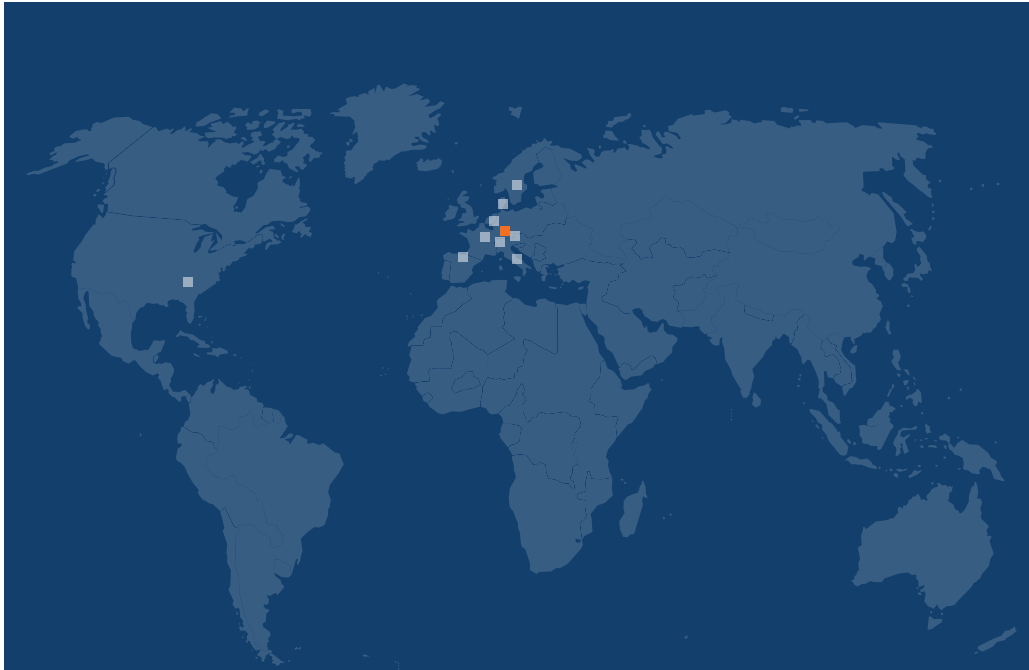
High-quality

We at häwa, have very high standards to provide excellent quality as proven by the DIN EN ISO 9001 2008 certification. The same applies to our consultancy and the service we provide. We do not rely on what we have already achieved – we are always striving for more for your benefit.

Thinking ahead

We come up with surprising ideas tailored to your individual requirements and smart solutions that always meet or even exceed your expectations – today and tomorrow. There is only one goal to pursue for us: Finding the best possible solution for your challenges.

häwa GmbH
 Industriestraße 12
 D 88489 Wain
 Tel. +49 7353 98460
 info@haewa.de
 www.haewa.de



D 08451 Crimmitschau

Sachsenweg 3
 Tel. +49 3762 95271/2
 vertrieb.c@haewa.de

D 47167 Duisburg

Gewerbegebiet Neumühl
 Theodor-Heuss-Str. 128
 Tel. +49 203 346530
 vertrieb.d@haewa.de

D 63477 Maintal
 Dörnigheim

Carl-Zeiss-Straße 7
 Tel. +49 6181 493031
 vertrieb.rm@haewa.de

A 4020 Linz

Schmachtl GmbH
 Pummererstraße 36
 Tel. +43 732 76460
 office.linz@schmachtl.at

CH 8967 Widen

häwa (schweiz) ag
 Gyrenstrasse 5a
 Tel. +41 43 3662222
 info@haewa.ch

DK 6400 Sonderborg

Eegholm A/S
 Grundtvigs Allé 165 - 169
 Tel. +45 73 121212
 eegholm@eegholm.dk

E 48450 Etxebarri

Hawea Ibérica, s.l.
 Poligono Leguizamón
 Calle Guipuzcoa, Pab.9
 Tel. +34 944 269521
 hawea@ctv.es

F 67600 Sélestat

häwa France Sarl
 22, Rue Roswag
 Tel. +33 672 71 3309
 info@haewa.fr

I 88489 Wain

häwa Italia
 Industriestraße 12
 Tel. +49 7353 9846115
 info@haewa.it

NL 7548 CV Enschede

häwa Nederland B.V.
 De Plooy 6
 Tel. +31 53 4321835
 info@haewa.nl

SE 88489 Wain

häwa Schweden
 Industriestraße 12
 Tel. +49 7353 98460
 info@haewa.se

SE 19561 Arlandastad
 (only for tools)

Nelco Contact AB
 Dalens Gata 7
 Tel. +46 875 47040
 info@nelco.se

USA Duluth, GA 30097

haewa Corporation
 3768 Peachtree Crest Drive
 Tel. +1 770 9213272
 info@haewa.com



CABINET SYSTEMS



X-FRAME



ENCLOSURES



ACCESSORIES



CLIMATE CONTROL



CABLE DUCTS



CUSTOMIZED SOLUTIONS



TOOLS